

The Opportunity

Sidler, Inc. has developed and patented a fundamental design for a Universal Garage Door Opener.

The design provides

- Easy operation of a garage door remote from its convenient compartment
- A compartment door that is also the activation button
- One-touch operation

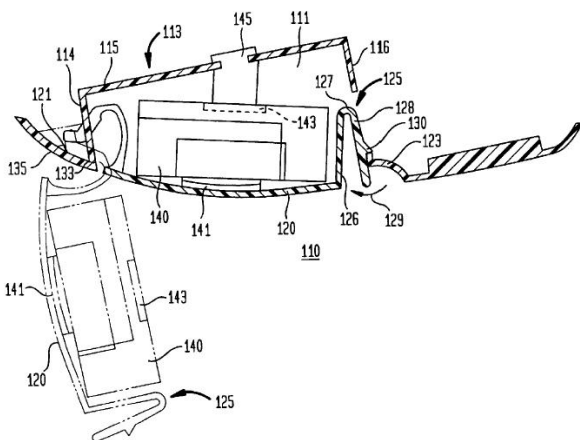
The design is compliant with all requirements of major automobile manufacturers.

Technology

The Sidler design offers the following advantages:

- Simple operation
- Less expensive than built-in transmitter electronics that mimic the remote
- Originally designed for a major automobile manufacturer

Detailed engineering drawings are available to facilitate rapid development of a manufacturing program.



Intellectual Property

The Sidler design is protected by US Patent 6,126,221 “Universal Garage Door Opener Overhead Compartment” and several foreign counterparts.

The patent is highly cited by later patents. It protects the combination of door panel and operating switch.

For More Information

The Liquidating Trustee is seeking qualified bidders to acquire this intellectual property.. For more information, contact:

Dr. Stephen P. Weeks, President
 First Principals, Inc.
 1768 East 25th Street
 Cleveland, OH 44114
 Tel: 216-881-8521
 Cell: 216-533-6371
 Fax: 216-881-8522
 email: spweeks@firstprincipals.com
 Website www.firstprincipals.com