

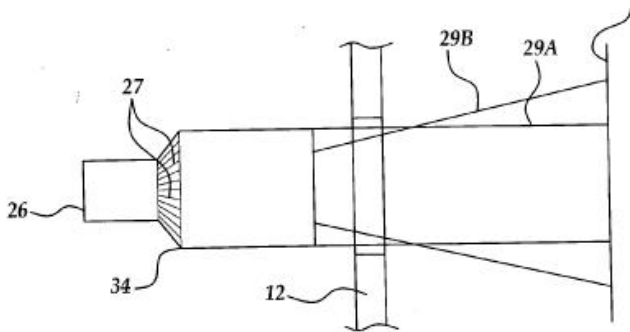
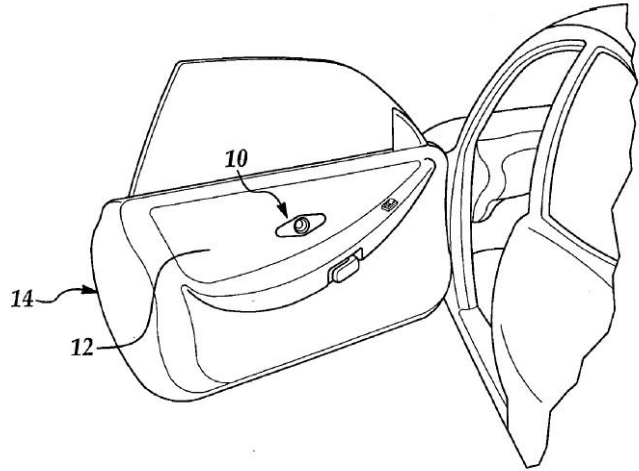
PANEL-MOUNTED TASK LIGHT FOR VEHICLE INTERIORS

The Opportunity

Sidler, Inc. has developed and patented an innovative design for incorporating a recessed task light into a vehicle interior.

The design provides

- a focused lamp mounted in a door or other vehicle interior panel
- restricted illumination onto the lap of a passenger for reading maps and other tasks
- a replacement for *overhead* reading lights which can be distracting to a driver, and potentially unsafe.



The design is compliant with all requirements of major automobile manufacturers.

Technology

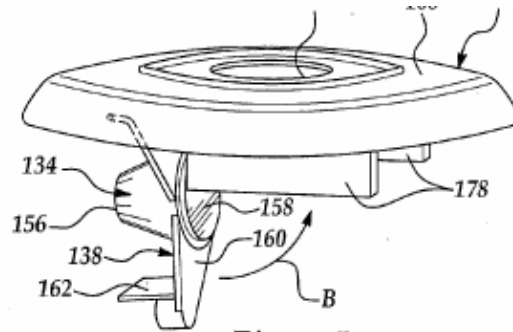
The Sidler design offers the following advantages:

- Reduction of optical flooding and glare
- Low part count
- Optimal packaging
- Robustness
- Low cost

Detailed engineering drawings are available to facilitate rapid development of a manufacturing program.

Intellectual Property

The Sidler design is protected by US Patent Application 2006/0198155 "Panel Mounted Task Light for a Vehicle" and several foreign counterparts.



For More Information

The Liquidating Trustee is seeking qualified bidders to acquire this intellectual property. For more information,

Dr. Stephen P. Weeks, President
 First Principals, Inc.
 1768 East 25th Street
 Cleveland, OH 44114

Tel: 216-881-8521 Cell: 216-533-6371

Fax: 216-881-8522

email: spweeks@firstprincipals.com

Website: <http://www.firstprincipals.com>



US 20060198155A1

(19) **United States**

(12) **Patent Application Publication**

Nickola et al.

(10) **Pub. No.: US 2006/0198155 A1**

(43) **Pub. Date: Sep. 7, 2006**

(54) **PANEL MOUNTED TASK LIGHT FOR A VEHICLE**

(22) Filed: **Mar. 1, 2005**

(75) Inventors: **Michael W. Nickola**, Rochester Hills, MI (US); **Richard D. Kuhl**, Troy, MI (US)

Publication Classification

(51) **Int. Cl.**
F21W 11/08 (2006.01)

(52) **U.S. Cl.** **362/488**

Correspondence Address:
**REISING, ETHINGTON, BARNES,
KISSELLE, P.C.
P O BOX 4390
TROY, MI 48099-4390 (US)**

(57) **ABSTRACT**

A task light adapted to be substantially recessed within a vehicle, wherein a light source produces light and a light modifier is positioned in front of the light source to redirect at least a portion of the light therethrough to produce a beam of light in substantially the shape of a solid of revolution.

(73) Assignee: **Sidler Inc.**, Madison Heights, MI

(21) Appl. No.: **11/069,008**

